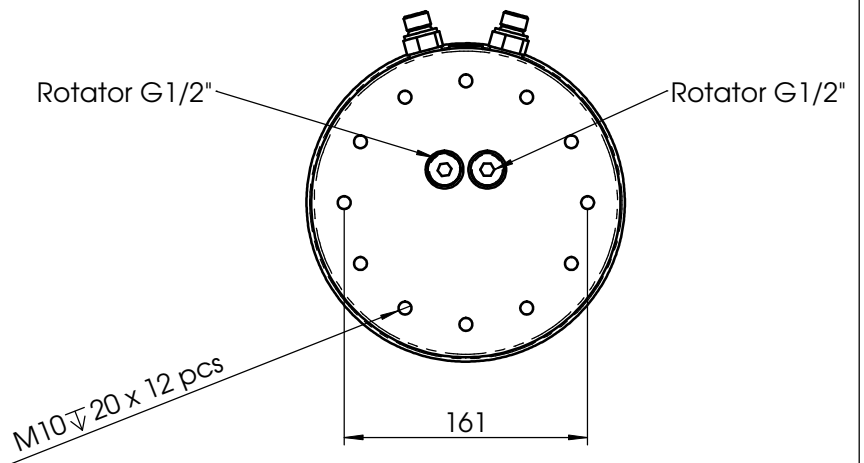
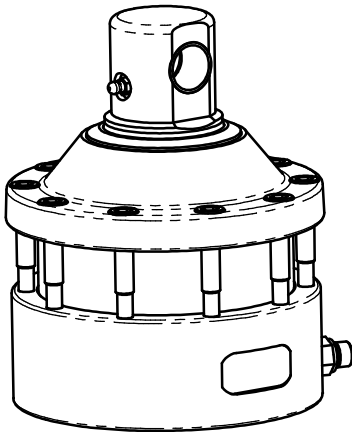
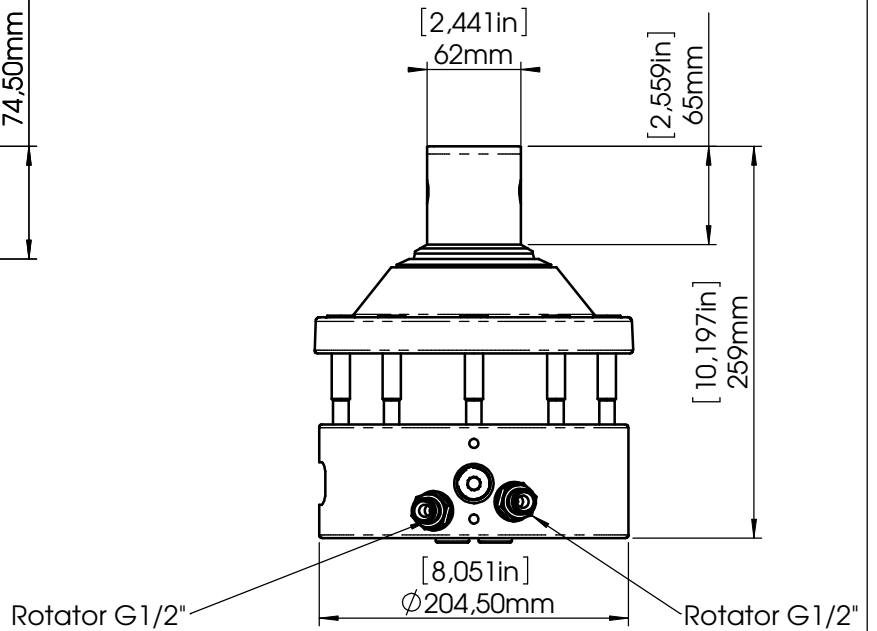
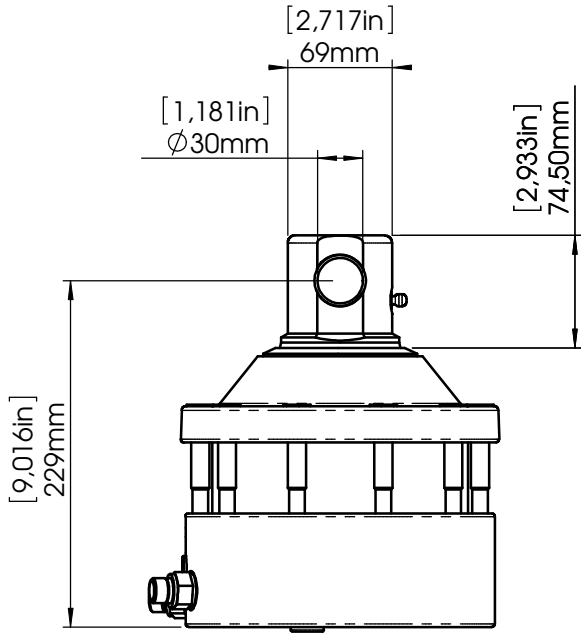


Rotator FR 22/15 M



FR 22/15 M	
Rotation angle	Unlimited
Max. working pressure	200 bar
Displacement	543 cm ³
Torque (200 bar)	1350 Nm
Max. axial force	75 kN
Safe working load	5000 kg
Weight	35 kg

Basic models		
Item	Name	Connection
12232	FR 22/15 M	M10 x 12 (161)