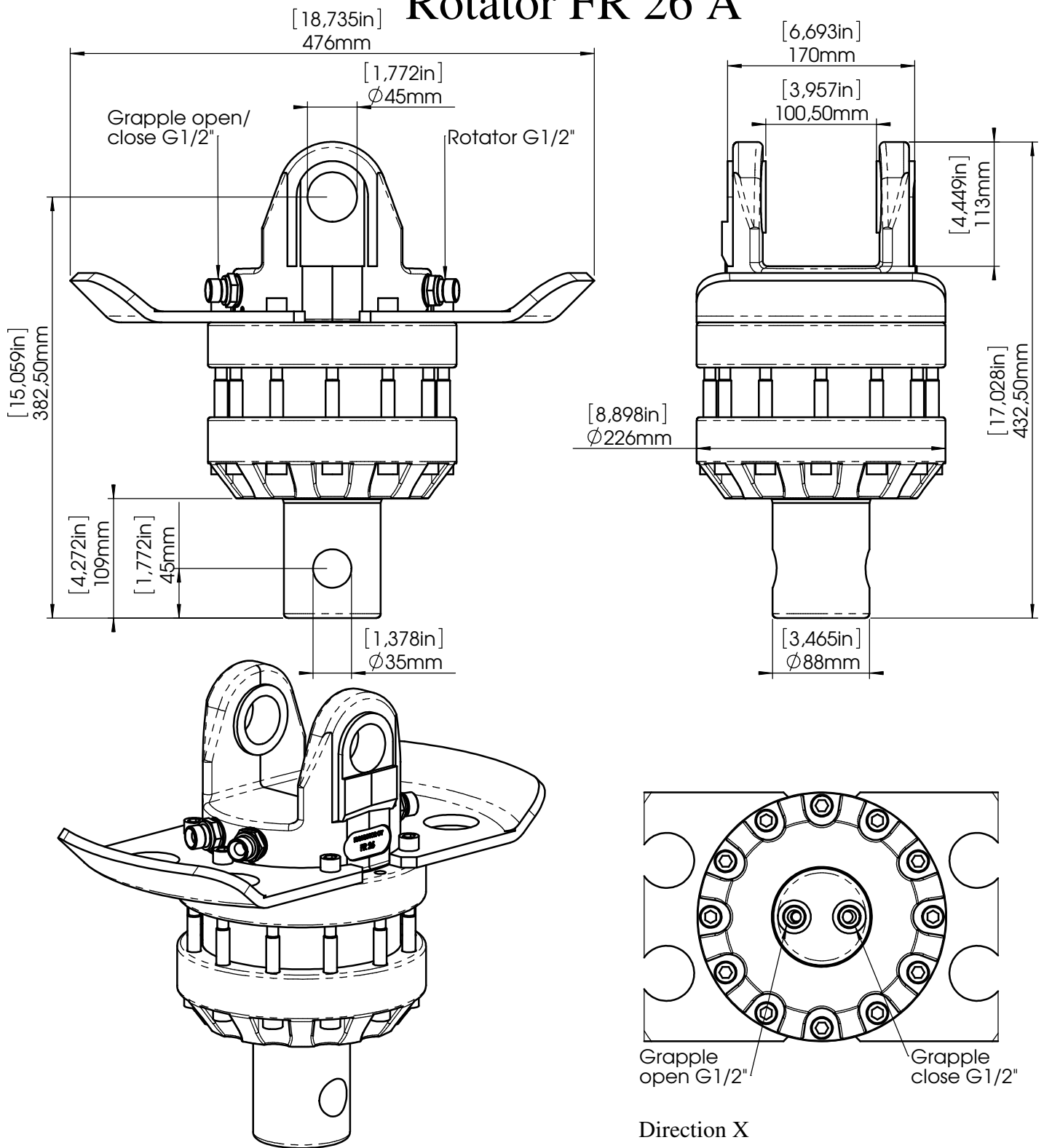


# Rotator FR 26 A



FR 26 A	
Rotation angle	Unlimited
Max. working pressure	200 bar
Displacement	883 cm <sup>3</sup>
Torque (200 bar)	2200 Nm
Max. axial force	150 kN
Safe working load	10000 kg
Weight	58 kg

Basic models		
Item	Name	Direction
12601	FR 26-X45A35	X