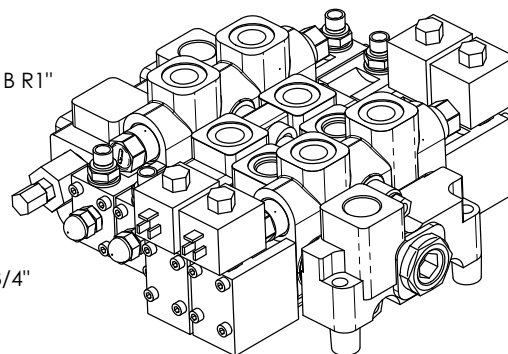
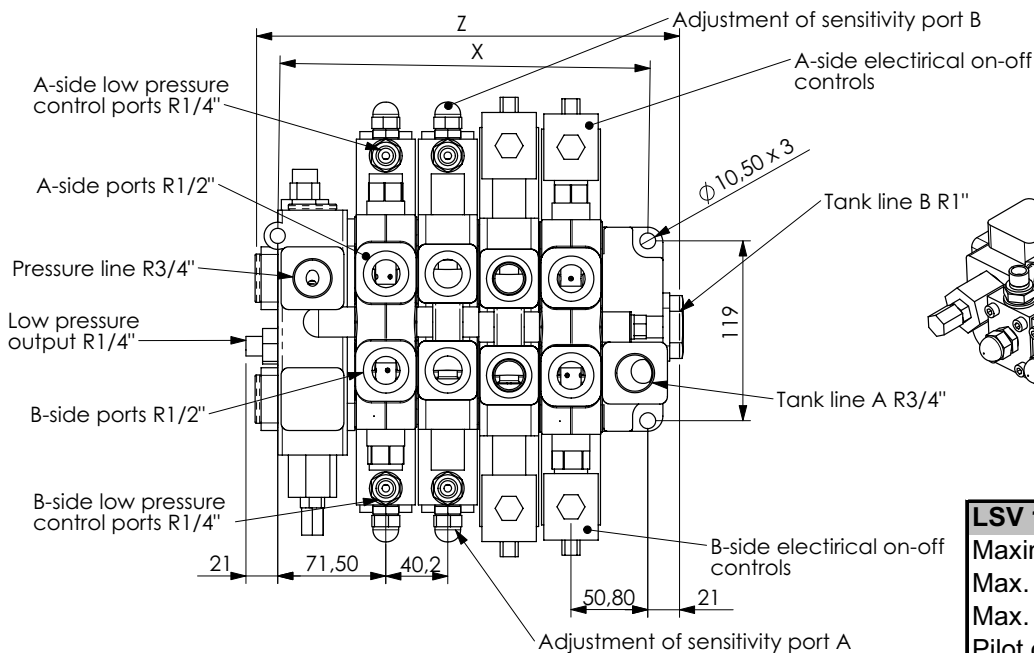
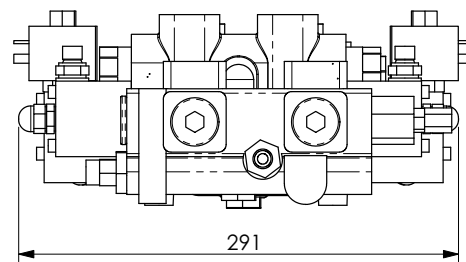
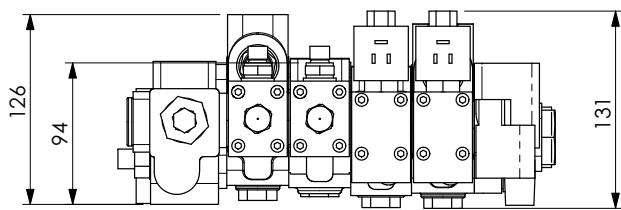


VALVES LSV 100 - model EO

LOW PRESSURE HYDRAULIC CONTROLS - ELECTRICAL ON-OFF CONTROLS

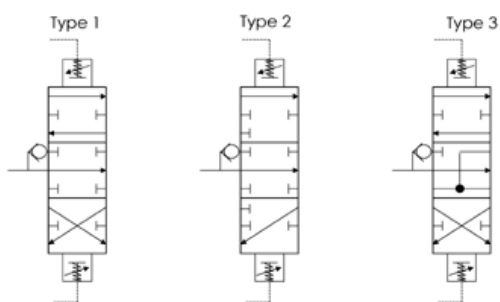


LSV 100	
Maximum flow	100 l/min
Max. operation pressure	280 bar
Max. tankline pressure	10 bar
Pilot operation hoses	R1/4"
Pilot hydraulic pressure	20-45 bar
LS-connection	option

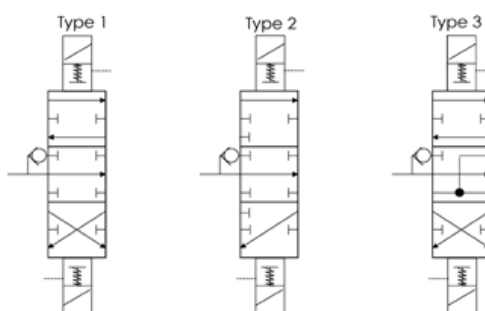
Numbers of working sections	1	2	3	4	5	6	7	8	9	10
x	162,5	202,7	242,9	283,1	323,3	363,5	403,7	443,9	484,1	524,3
z	204,5	244,7	284,9	325,1	365,3	405,5	445,7	485,9	526,1	566,3
weight										

TYPE OF SPOOLS	
type 1	double-acting spool
type 2	single-acting spool
type 3	motor spool

Low pressure hydraulic control

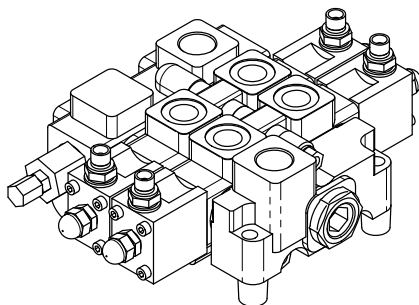
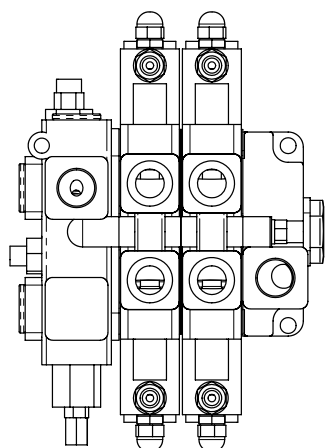


Electrical on-off control



Standard low pressure hydraulic control valves for cranes

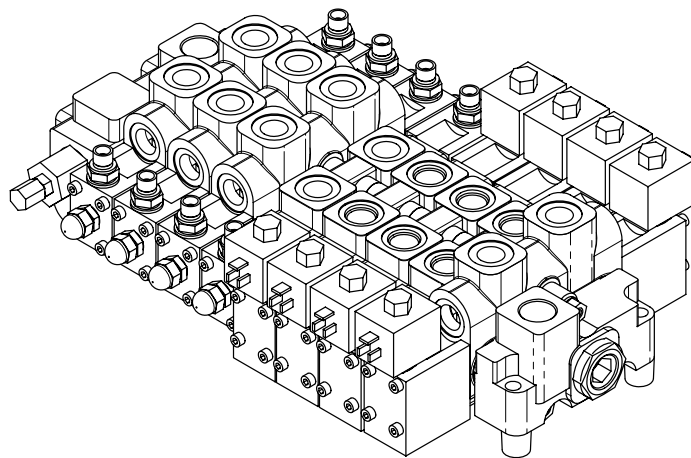
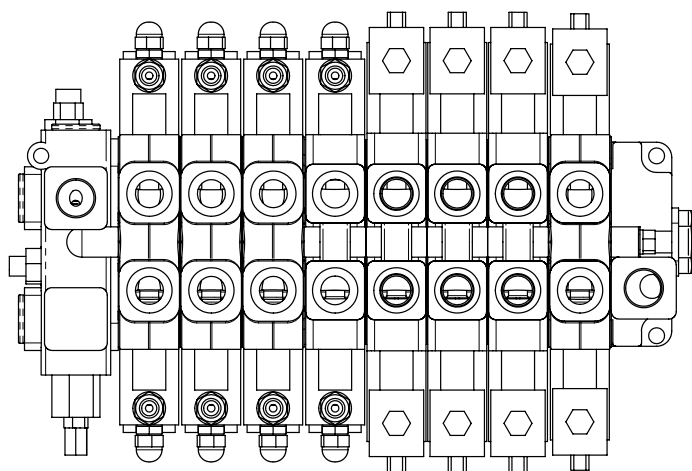
Front loader valve set



FRONT LOADER SET		Number of controls		Number of other items	
Type	item	low pres	elec on-off	Joystics	elec cables
LSV 100/2	100315	2	0	1	0
LSV 100/3	100256	2	1	1	1
LSV 100/4	100817	2	2	1	2

Low pressure hoses	Different lenght alternatives		
1 x 6 pcs	1,7 m	2,5 m	3,5 m

Crane valve set



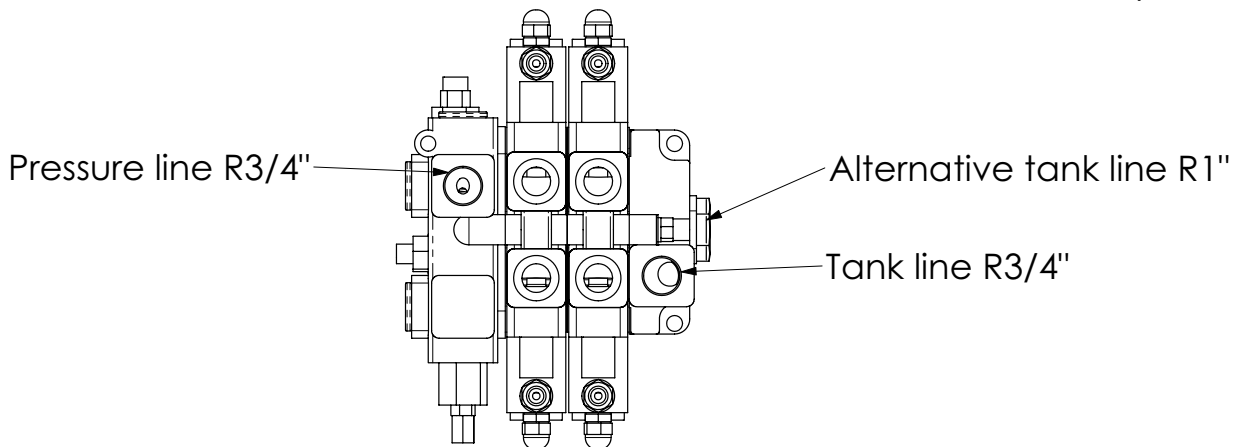
CRANE VALVE SET		Number of controls		Number of other items	
Type	item	low pres	elec on-off	Joystics	elec cables
LSV 100/4	100769	4	0	2	0
LSV 100/6	100722	4	2	2	2
LSV 100/7	100941	4	3	2	3
LSV 100/8	100965	4	4	2	4

Low pressure hoses	Different lenght alternatives		
1 x 6 pcs	1,7 m	2,5 m	3,5 m

Different hydraulic system connections

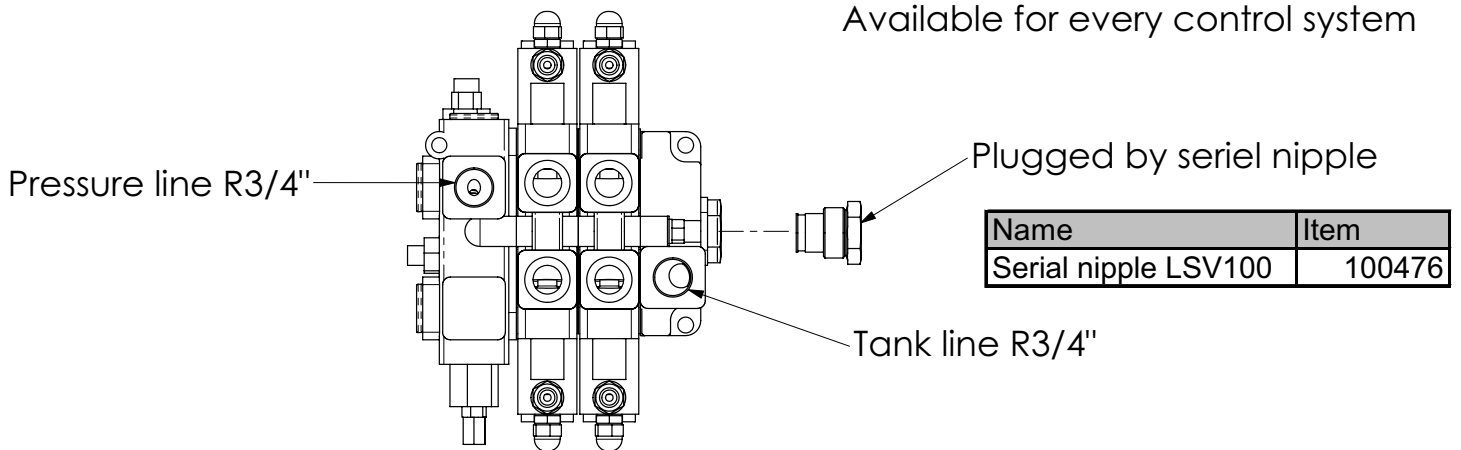
Around pumping hydraulic system

Available for every control system



Constant pressure hydraulic system

Available for every control system



Load sensitive (LS) hydraulic system

Available for every control system

